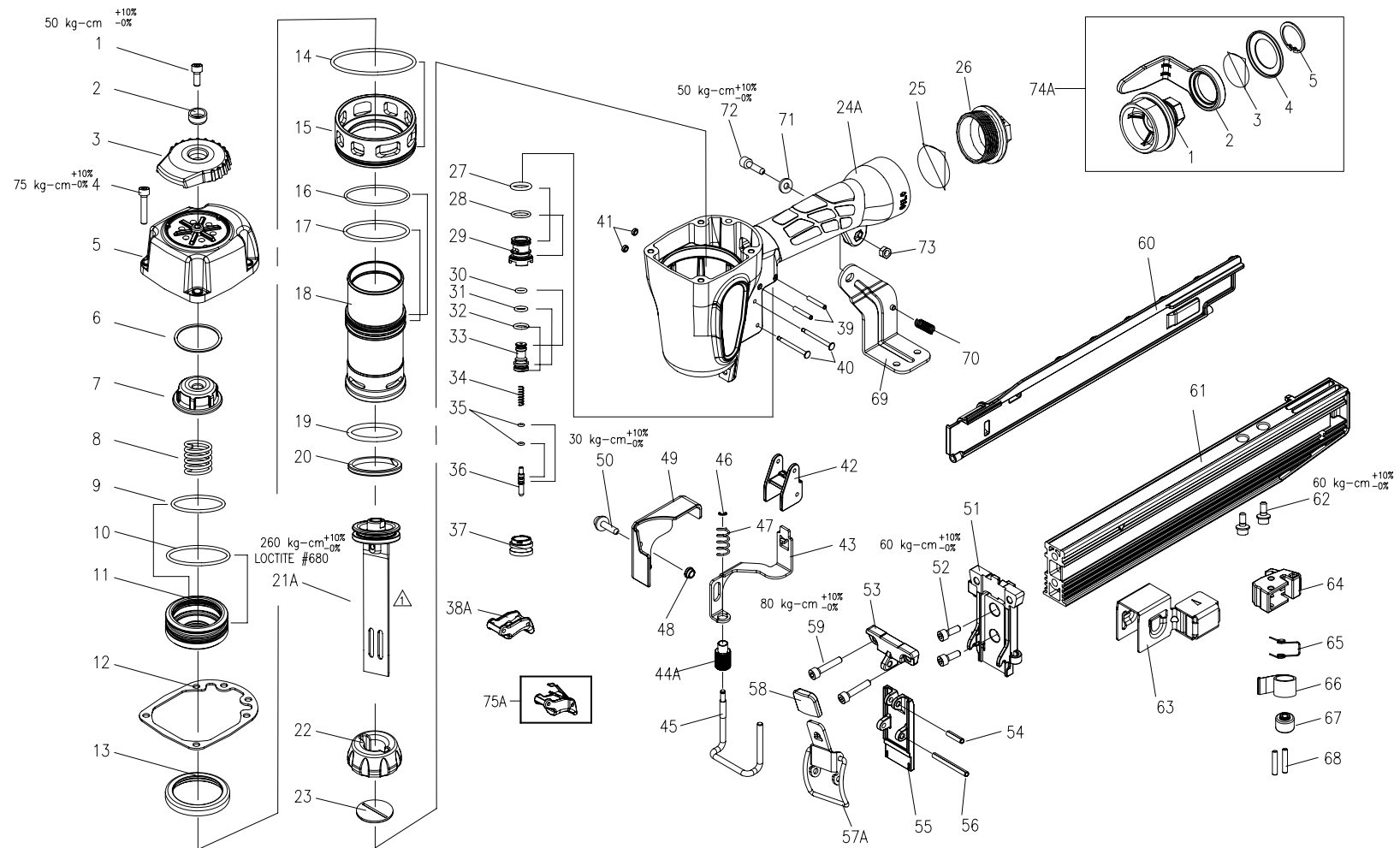


EXPLODED VIEW



Parts List

| Item No. | Part No. | Description | Q'ty | Item No. | Part No. | Description | Q'ty | |
|----------|-------------|------------------------|------|----------|----------------|---------------------|------|--|
| 1 | 30105140766 | Hex. Soc. Hd. Bolt | 1 | 46 | 31302500001 | E-Ring | 1 | |
| 2 | 20790000001 | Bushing | 1 | 47 | 21571490001 | Spring, Safety | 1 | |
| 3 | 20790010115 | Deflector | 1 | 48 | 21571470001 | Bushing | 1 | |
| 4 | 31605220766 | Hex. Soc. Hd. Bolt | 4 | 49 | 21571550015 | Safety Cover | 1 | |
| 5 | 215700202xx | Cap | 1 | 50 | 31605120766 | Hex. Soc. Hd. Bolt | 1 | |
| 6 | 21180230001 | Metal Shim | 1 | 51 | 21571350166 | Nose | 1 | |
| 7 | 21570140017 | Piston Stopper | 1 | 52 | 30105120166 | Hex. Soc. Hd. Bolt | 2 | |
| 8 | 20970160100 | Spring | 1 | 53 | 21571330066 | Driver Guide Cover | 1 | |
| 9 | 30700110000 | O-Ring | 1 | 54 | 30804120001 | Spring Pin | 1 | |
| 10 | 30700111000 | O-Ring | 1 | 55 | 21571340166 | Door | 1 | |
| 11 | 21970150000 | Piston, Head Valve | 1 | 56 | 30804300001 | Spring Pin | 1 | |
| 12 | 21570130000 | Cap, Gasket | 1 | 57A | 21571361001 | Latch Door Assembly | 1set | |
| 13 | 20910250117 | Seal | 1 | 58 | 21571380015 | Latch Door, Cover | 1 | |
| 14 | 30700153000 | O-Ring | 1 | 59 | 30105300866 | Hex. Soc. Hd. Bolt | 2 | |
| 15 | 21570370016 | Cylinder Spacer | 1 | 60 | 21572180015 | Magazine Cap | 1 | |
| 16 | 30700042000 | O-Ring | 1 | 61 | 21572050015 | Magazine | 1 | |
| 17 | 30700169000 | O-Ring | 1 | 62 | 31605100766 | Hex. Soc. Hd. Bolt | 2 | |
| 18 | 21570350000 | Cylinder | 1 | 63 | 21572130001 | Pusher | 1 | |
| 19 | 30700108000 | O-Ring | 1 | 64 | 20792360115 | Latch | 1 | |
| 20 | 20910510015 | O-Ring | 1 | 65 | 20792290001 | Spring | 1 | |
| 21A | 21570462201 | Driver Assembly | 1set | 66 | 20792090100 | Spiral Spring | 1 | |
| 22 | 21570470015 | Bumper | 1 | 67 | 20792110016 | Roller | 1 | |
| 23 | 21570480001 | Driver Guide | 1 | 68 | 32104198012 | Roller Pin | 2 | |
| 24A | 215706021xx | Body Assembly | 1set | 69 | 21572170001 | Bracket | 1 | |
| 25 | 30700185000 | O-Ring | 1 | 70 | 20792620001 | Spring | 1 | |
| 26 | 207707x01xx | End Cap | 1 | 71 | 30900005001 | Flat Washer | 1 | |
| 27 | 30700079000 | O-Ring | 1 | 72 | 30105140166 | Hex. Soc. Hd. Bolt | 1 | |
| 28 | 30700081000 | O-Ring | 1 | 73 | 30605080001 | Locknut | 1 | |
| 29 | 20750900074 | Valve | 1 | | | | | |
| 30 | 30700002000 | O-Ring | 1 | | | | | |
| 31 | 30700024000 | O-Ring | 1 | | | | | |
| 32 | 30700071000 | O-Ring | 1 | | | | | |
| 33 | 20750910074 | Valve Plunger | 1 | | | | | |
| 34 | 20770960001 | Spring | 1 | | | | | |
| 35 | 30700080000 | O-Ring | 2 | | | | | |
| 36 | 20770920000 | Plunger | 1 | | | | | |
| 37 | 20770930016 | Plunger Cap | 1 | | | | | |
| 38A | 20750952115 | Trigger Assembly-Bump | 1set | | | | | |
| 39 | 30803240001 | Spring Pin | 2 | | | | | |
| 40 | 20770890001 | Trigger Pin | 2 | | | | | |
| 41 | 30700078000 | Grommet | 2 | | | | | |
| 42 | 21572840015 | Guide, Contact Trip | 1 | | | | | |
| 43 | 21571480001 | Upper Safety Lever | 1 | | | | | |
| 44A | 21571901115 | Adjusting Nut Assembly | 1set | | | | | |
| 45 | 21571680201 | Lower Safety | 1 | | | | | |
| | | | | | Optional Parts | | | |
| | | | | 74A | 20970832115 | Belt Hook Assembly | 1set | |
| | | | | 74A-1 | 209707X00XX | End Cap | 1 | |
| | | | | 74A-2 | 20970830115 | Belt Hook | 1 | |
| | | | | 74A-3 | 30700188000 | O-Ring | 1 | |
| | | | | 74A-4 | 20970840001 | Cover Belt Hook | 1 | |
| | | | | 74A-5 | 33425000001 | C-Ring | 1 | |
| | | | | 75A | 20770952259 | Trigger Assembly | 1set | |